



44211 MANTRAP INTERLOCK CONTROL

2-Door Security Interlock

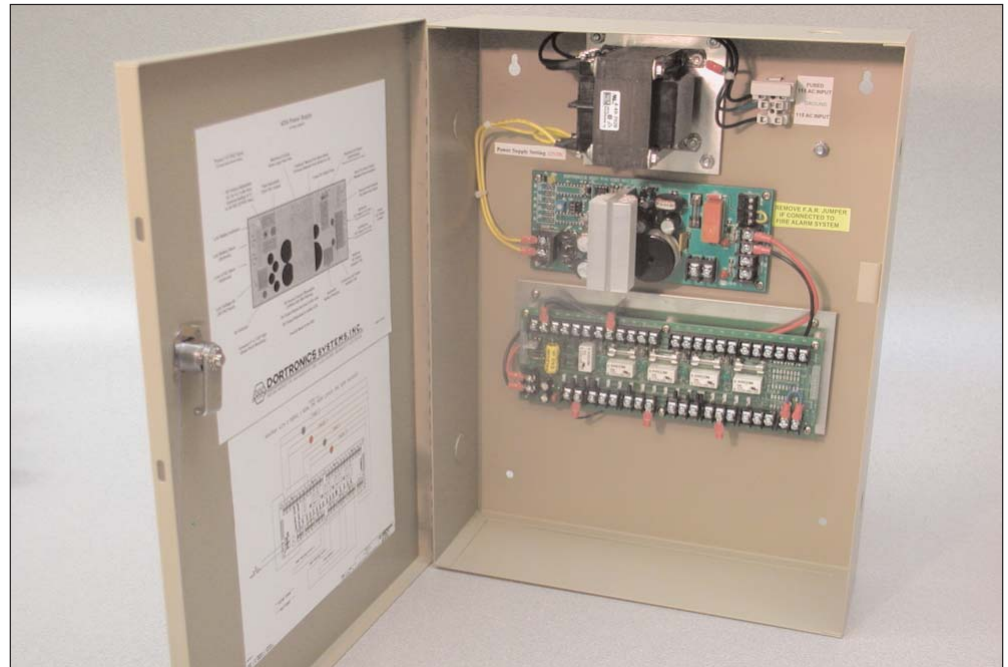
12 or 24 VDC Lock Power

Normally Closed Door Secure Input

Normally Open R-E-X Inputs

Maglock & Strike Relay Outputs

Indicator Light Control Relays



Secure 2 Door Interlocking

The #44211 series interlocking 2-Door Controller provides power and control for two doors with electric locks.

Air-Locks or Security Portals

Suitable for environmental laboratory airlocks or mantrap security control. The door interlock logic allows only one door to be unsecured at a time. The controller may be configured to have both doors locked; both doors unlocked or one door locked and one door unlocked depending on the application.

R-E-X Inputs

Any Request-for-Access device can be utilized including card readers; prox readers or key-pads with a normally open dry contact output.

Traffic Indicator Lights

Relay outputs are provided to control traffic lights. For user convenience, a green light is typically used to signify a door is ready for access. A red light is usually lit to indicate that a door is un-accessible. Alarm relay outputs are also available for special requirements.

Integral 12/24 VDC Power Supply

The built-in low voltage power supply provides sufficient current to operate 12 or 24 VDC electromagnetic locks or strikes, including redundant maglocks and strikes on each door for high security projects. The heavy-duty power supply assures reliability for extended usage in the most strenuous environments.

Fire Alarm Input/Output

Ready for hook-up to the fire system, no additional relay interface devices are required. An optional alarm output is also available for monitoring the DC power to the interlock.

Total Protection & Back-up Power

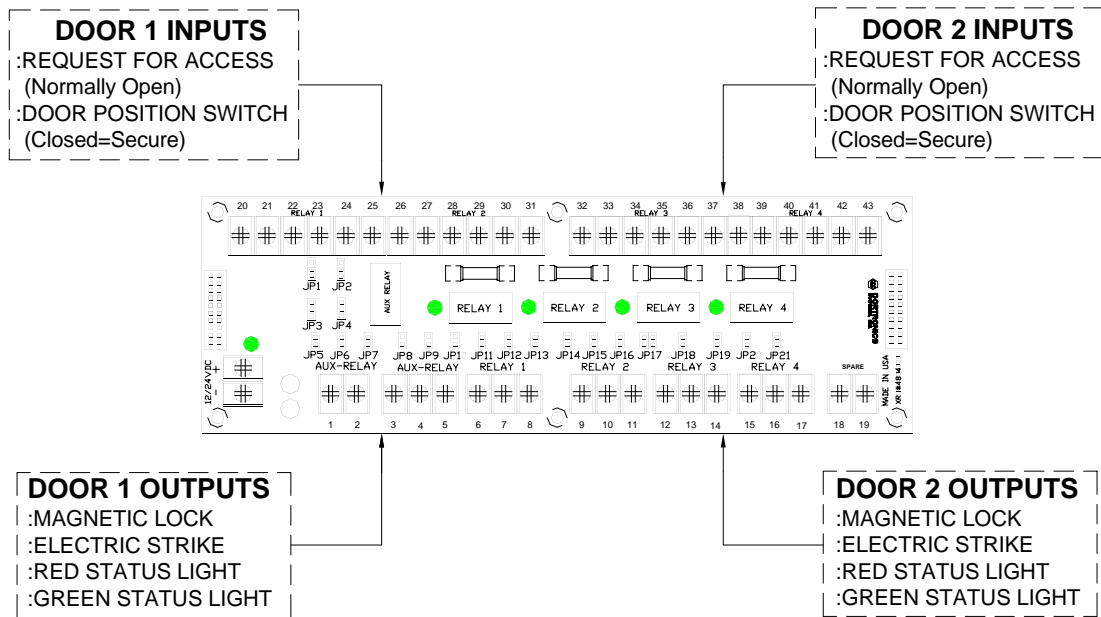
The 110 VAC input and DC output are fused to protect the system against overloads and shorts. The switching regulator prevents excessive current draw. The optional back-up batteries are automatically charged to provide immediate 12 or 24 VDC output upon loss of AC power.

Remote Control & Monitoring

The #7600 Annunciator/Controller is also available for optional integration with this system to provide visual and audio status.



44211 SERIES 2-DOOR INTER-LOCK CONTROL



Models & Configurations

#44211-L 2-Doors - 1-Room -

Both Doors Normally Locked

Only one door may be unlocked at a time. Unlocking one door automatically prevents a request for access inhibiting the REX input for the other door.

#44211-U 2-Doors - 1-Room -

Both Doors Normally Unlocked

Only one door may be opened at a time. opening one door automatically secures the other door.

#44211-LU 2-Doors - 1-Room -

1-Door Normally Locked

1-Door Normally Unlocked

Only one door may be unlocked at a time. Unlocking one door automatically secures the other door. A request for access at the locked door will lock the other door unless the unlocked door is already open.

(See the 443 & 444 series for mantraps requiring more than two interlocked doors.)

Specifications

Physical Size:

NEMA Enclosure - 12" x 16" x 4"
with lockable hinged cover.

Electrical:

AC Input - Fused 110 VAC terminals
DC Output - 4 amp Output @ 12 or 24 VDC (field selectable)

Inputs:

Door Secure - Dry contact input (closed when door secure).

Request for Access - Dry contact input (normally open or normally closed).

Outputs:

Door Locks - SPDT relay for magnetic lock or strike at each door.

Traffic Lights - Powered outputs for red and green indicator lights for user feedback

Traffic Indicator Lights

Outputs (from lock power) allow red and green lights to be utilized for user feedback. A green light indicates that access is permitted, while a red light signals that the other door is open and access is allowed.

Quick Easy Installation

Installation is fast, from mounting the enclosure to the connection of wiring. No need to add additional relays for alarm monitoring or the fire alarm interface. Large barrier terminal blocks are provided for all field device connections.

Reliable Operation

The unique design of the power supplies insures a reliable source of lock power in all situations. Components that exceed normal specifications are used to extend the operating lifetime.

Optional Features:

- xBAT - Dual 7-AH rechargeable batteries for 12 or 24 volt back-up power
- xAO - Alarm output relay indicates loss of AC input power & low battery alert.



**DORTRONICS
SYSTEMS, INC.**

1668 SAG HARBOR TURNPIKE, SAG HARBOR, NY 11963
www.dortronics.com - (800) 906-0137 - (631) 725-8148 FAX