



6510 SERIES ANTI-TAMPER ALARM COVER

Reduce Exit Door Alarms

Stop Unauthorized Door Release

Local Alarm Piezo Sounder

Remote Alarm Output



Cover Deters Unauthorized Door Release

This unique device will deter unauthorized door openings without restricting emergency egress when used with the 6510/xx-S35 Emergency Pull Station. The cover with sounder option 6510/COV/S can also stop false alarms through its pre-alarm local sounder action. Ideal for installation in schools, hospitals, nursing homes, stores, hotels and public buildings of almost every kind. Model 6510/COV/SR in addition to the sounder incorporates a SPDT onboard relay to send an alarm output for remote monitoring.

Heavy Duty Construction

The 6510/COV Anti-tamper Alarm Cover consists of a clear, tamperproof, super tough polycarbonate shield and frame that fits over the 6510/xx-S35 Emergency Pull Station. Utilizing the 6510/COV/S a local alarm sounds when the clear plastic cover is lifted to gain access to the pull handle for door release, it sounds a piercing 95 dB or 105 dB warning horn. Immediate attention is drawn to the area and a prankster will either run or be caught. When the cover is lifted, the horn will sound until the cover is lowered back into the closed position.

Battery or On-line Low Voltage Power

The 6510/COV/S Piezo can operate independently from a standard 9-volt battery or 12/24 VDC.

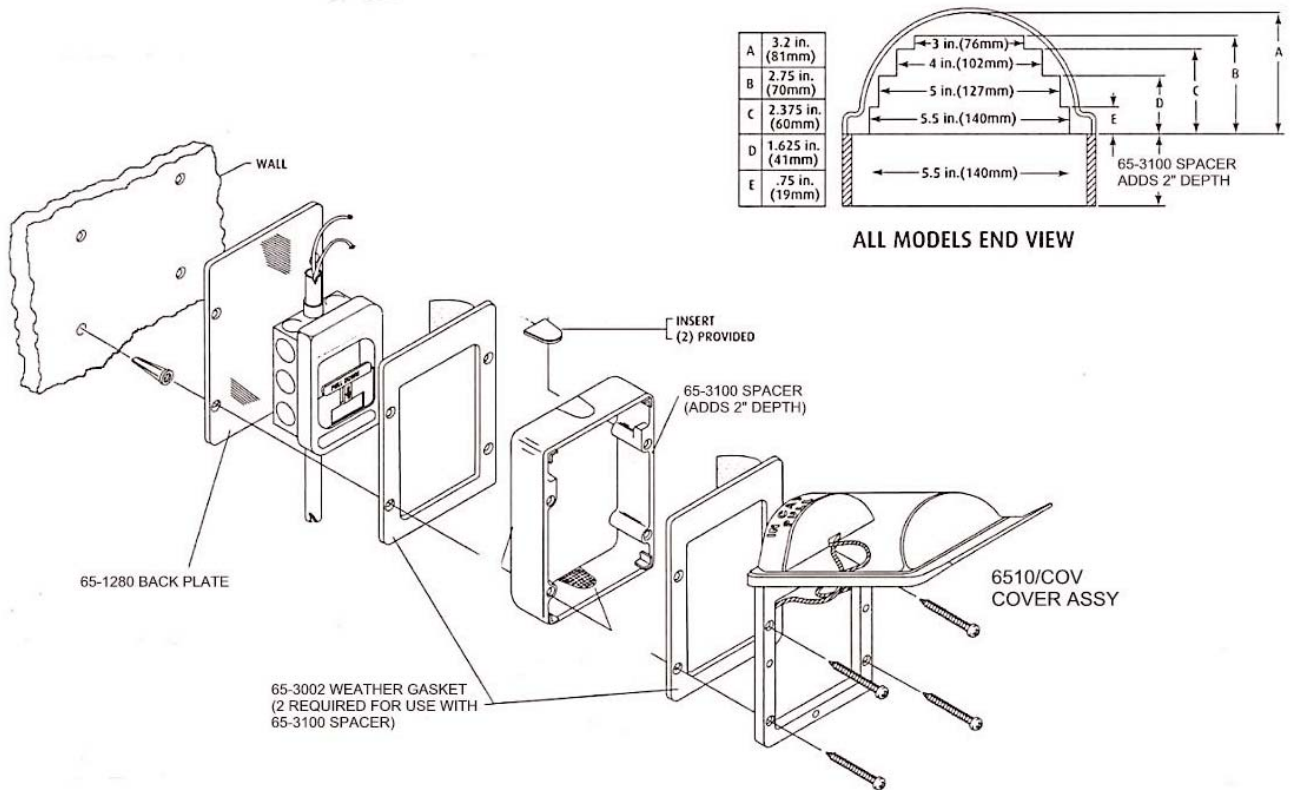
Emergency Pull Station Operation

When the pull handle is activated, lock power is switched from the door lock over to the CS (optional) sounder by a SPDT switch. A second set of SPDT contacts is also switched to allow communication with an alarm monitoring system such as a card access system.

Alarm Interface

The 6510/COV/SR includes a relay with SPDT contacts which is energized whenever the cover sounder is activated. This output can be used to alert other remote systems. When used with the 6510/xx-S35xCS, the on-board SPDT relay can be used to activate the optional built-in sounder of the pull station. This will cause both sounders to activate while the cover is lifted. If the pull handle is operated, the optional pull station sounder will continue to sound, even if the plastic cover is closed.

6510 SERIES ANTI-TAMPER ALARM COVER



Specifications:

Dimensions

6510/COV (all models)
7" wide x 10" high x 3-1/4" deep

Electrical

6510/COV/S (With Sounder)

Standard power source is 9 VDC alkaline battery; (included) may also be powered from a remote 12/24 VDC power source

6510/COV/SR (With sounder/Relay)

Includes form "c" alarm relay output with contacts rated 1 amp @ 30 VAC/VDC
Standard power source is remote 12/24 VDC power source. Unit can also be powered from a 9 VDC alkaline battery. (battery not included with this model)

Optional Sounder

Field selectable 90 db or 105 db horn at one foot

Plexiglass Cover

Polycarbonate tested for -40 F to 120 F
Clear cover UV-stablized

Models:

6510/COV - Clear plexiglass anti-tamper top-hinged cover for 6510 series emergency pull station

6510/COV/S - Clear plexiglass anti-tamper top-hinged cover with built-in sounder

6510/COV/SR - Clear plexiglass anti-tamper top-hinged cover with built-in sounder & alarm relay output

Approvals/Testing:

UL/cUL Listed No. S2466

Factory Mutual No. OG6A2.AY

State of California

New York City Board of Standards

No. 947-81-SA

ADA Compliant (UL Certified No. S2466)

Description:

Proven effective in helping to stop unauthorized door release without restricting emergency egress. Can also be used as a guard against physical damage to the 6510/xx-S35 emergency pull station.

Clear, tamperproof, super-tough polycarbonate shield and frame fits over 6510/xx-S35 pull station. Cover is UV-stabilized against sun deterioration.

Units have standard blue highlight with white lettering
"EMERGENCY EXIT ONLY".



DORTRONICS
SYSTEMS, INC.

1668 SAG HARBOR TURNPIKE, SAG HARBOR, NY 11963
www.dortronics.com - (800) 906-0137 - (631) 725-8148 FAX