

## Features:

- Dead-front Construction
- Digitally Recorded Automatic Evacuation Message (Up to 4 Minutes of Message Capacity)
- 50/100 Watt Bullet-Proof Amplifier
- 25 or 70 VRMS Field Selectable
- 120 VAC Power Supply and Battery Charger
- Live Microphone Override of Message and Tone
- Analog Addressable Compatible
- High Reliability, No Maintenance, Fully Supervised
- Easy Installation and Operation
- Natural Sound Recordings
- Built in Alarm and Alert Signals
- Up to 4 Minute Message Capacity
- Works with 12VDC or 24VDC Fire Alarm Panel
- Works with Analog/Addressable and Microprocessor based Fire Alarm Panels.
- 3 Minute Message Restart on Microphone Key
- 24 Hour Backup with four 12V 7AHR Batteries
- Made in the USA.

## Description:

The EVAX 200 / EVAX 150 panels provide 200W and 150W of speaker power respectively. Speaker zones can be configured for general alarm or alarm by zone operation as required

Digital message repeater, microphone, 120 VAC power supply and battery charger are all built in.

EVAX voice evacuation panels can be configured for Churches, Restaurants, Movie Theaters, Auditoriums and High Rise buildings.

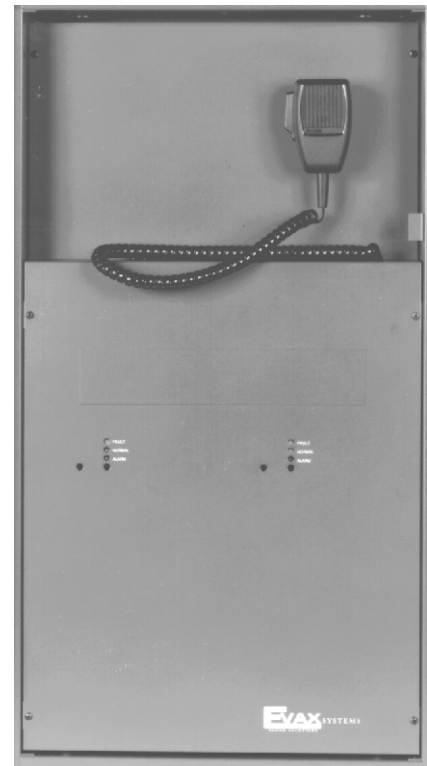
The EVAX 200 / EVAX 150 panels are an attractive surface or semi-flush mounted back boxes, with a hinged and key locked door.

Cabinet dimensions are: 14.5 x 27 x 4" w·h·d

## Ordering Information:

Description	150 Watt	Model Number	Description	200 Watt	Model Number
150W Voice Evacuation System, with: 2 Speaker Circuits 1 - 100W 1 - 50W Power Supply / Battery Charger Paging Microphone Digital Message Repeater		EVAX 150	200W Voice Evacuation System, with: 2 Speaker Circuits 100W each Power Supply / Battery Charger Paging Microphone Digital Message Repeater		EVAX 200
150W Voice Evacuation System, with: 8 Speaker Zones 100W/4Z 50W/4Z		EVAX 150/8Z	200W Voice Evacuation System, with: 8 Speaker Zones 100W/4Z 100W/4Z		EVAX 200/8Z
150W Voice Evacuation System, with: 12 Speaker Zones 100W/8Z 50W/4Z		EVAX 150/12Z	200W Voice Evacuation System, with: 12 Speaker Zones 100W/8Z 100W/4Z		EVAX 200/12Z
150W Voice Evacuation System, with: 16 Speaker Zones 100W/8Z 50W/8Z		EVAX 150/16Z	200W Voice Evacuation System, with: 16 Speaker Zones 100W/8Z 100W/8Z		EVAX 200/16Z

## EVAX 200 / EVAX 150 Voice Evacuation System



EVAX 200 shown with Keylocked Door Removed

## Listings:



S5661

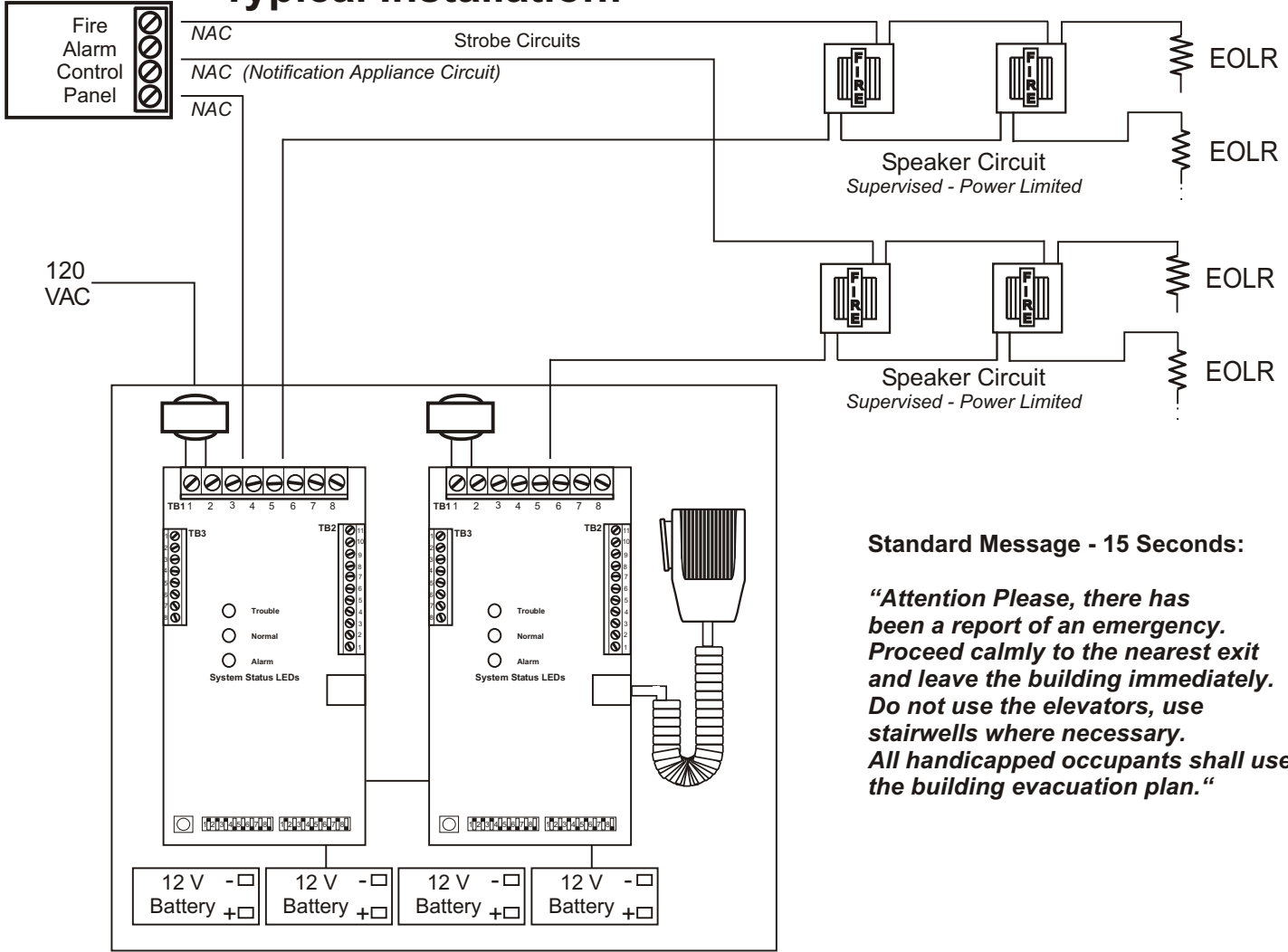


Pending



6911-1446:104

# Typical Installation:



## Standard Message - 15 Seconds:

***“Attention Please, there has been a report of an emergency. Proceed calmly to the nearest exit and leave the building immediately. Do not use the elevators, use stairwells where necessary. All handicapped occupants shall use the building evacuation plan.”***

## Technical Characteristics:

Specifications given are per module:

### EVX-100 100W Evax Module

Primary Power: 120VAC @ 2A  
 24 VDC Battery Power: 0.18A Standby  
 2.5A Alarm  
 Output: 100 Watts @ 25/70 VRMS  
 Tone **and** Voice

### EVX-50 50W Evax Module

Primary Power: 120VAC @ 0.6A  
 24 VDC Battery Power: 0.13A Standby  
 1.0A Alarm  
 Output: 50 Watts @ 25/70 VRMS  
 Tone **and** Voice

Backbox Dim: 14.5 x 27 x 4" w-h-d  
 Color: Charcoal Grey-std Red-optonal

## Engineers Specifications:

The voice evacuation system shall be Evax Systems Series EVAX 200 / EVAX 150 or approved equal.

The voice evacuation system shall provide 200 / 150 Watts of signal **and** voice power, and shall be UL listed. All speaker circuits shall be field selectable for 25 or 70 Vrms operation and shall be power limited.

The voice evacuation system shall be micro-processor based, and shall contain an integral microphone, audio amplifier, tone generator and digital message repeater.

A 120 VAC Power Supply and battery charger for standby batteries shall be included.

The voice evacuation message/signal shall be broadcast until the FACP is reset, or until fire emergency personnel interrupt the broadcast with a manual page. Remote paging microphone(s) will be supported through a supervised circuit.