



DTK-WH2PLUS

Standard Whole House Surge Protection General Product Specifications



DITEK's WH2PLUS Whole House surge protection kit is perfect for residential builders and contractors who desire to provide an additional, valuable service to their customers.

The WH2PLUS protects AC power, phone lines, and video feeds. These top quality, superior performing, affordable products are a favorite of homeowners.

Product Description

DTK-WH2PLUS

- CM PLUS 120/240V Lightning Arrester
 - Provides AC protection on your utility power's line side. Weatherproof housing allows outside installation
- 8FF and 6F AC Plug-in Surge Protectors
 - Provide AC protection on the "load" or outlet side of your building's electrical service. The 8FF and 6F provide an essential second layer of surge protection to protect valuable electronic equipment
- VSP-A Coax Surge Protector
 - Protection for cable TV/Cable Modem lines. Installed at the first point of entrance, protects all cable runs in a house
- 2LVLPSCP-RUV Phone Line Surge Protection
 - Keeps external surges from coming into your building on unshielded telephone company wires. Protects two lines When installed at the first point of entrance, protects all downstream telephone wire runs

Warranty (All Products): 10 Year Limited Warranty

Connected Equipment Policy: \$5,000, 5 Year Limited Policy

Note: See WH2PLUS complete datasheet set for individual product specifications





DTK-8FF

8-Outlet Plug-In Surge Protection General Product Specifications



DITEK's DTK-8FF eight outlet SPD (Surge Protective Device) protects AC power and telco/modem/fax lines. Hybrid circuitry provides excellent point of use protection. Up to six transformers, or four transformer and four standard plugs, can be protected at the same time. EMI/RFI filtering provides extra protection for sensitive electronics.

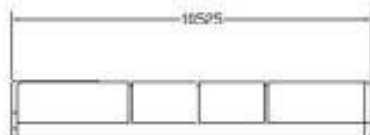
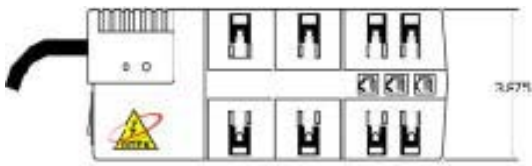
DTK-8FF

Application Features

- 8AC outlets protected, up to six transformers
- Diagnostic LED indicates ground presence and suppressor function
- Automatic shutdown feature turns off power in case of suppressor overload
- RJ11 Telco protection is included
- Mounting slots allow installation on wall or backboard

Product Features

Agency Approvals:	UL1449, 2 nd Edition (AC) UL497A (Telco)
Service Voltage:	110-120VAC
MCOV:	125VAC
MCOV – Telco:	180VAC
Connection:	Direct plug-in (AC); RJ11 (Telco)
Continuous Current:	15 Amps
Max Surge Current:	40,000 Amps (AC) 2,400 Amps (Telco)
Protection Modes:	L-G, L-N, N-G (AC) Tip-G, Tip-Ring, Ring-G (Telco)
U.L. 1449 SVR:	330V
Dimensions:	10.5" x 3.9" x 1.4" (267mm x 99mm x 36mm)
Weight:	1.3lb (590g)
Housing:	ABS
Warranty:	Ten Year Limited Warranty



DTK-8FF





6 Outlet Series

6-Outlet Plug-In Surge Protection General Product Specifications

DITEK's six outlet wall-mount surge protectors offer complete protection to suit various needs. Hybrid circuitry provides excellent point of use protection. The external ground connector on the "GTP" model provides convenient data/telecom chassis grounding in computer rooms.



DTK-6F DTK-6FF DTK-6GTP

Application Features

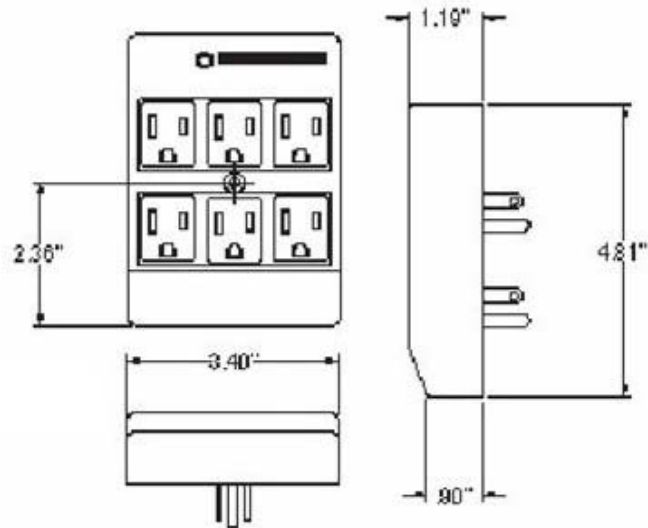
- Wall mount – duplex outlet becomes six surge protected outlets
- Center screw secures surge protector to outlet housing
- Diagnostic LED indicates ground presence and suppressor function
- Ground screw provision makes it easy to tie multiple pieces of equipment (chassis, phone system, access control, etc.) to a common ground point (DTK-6GTP)
- RJ11 Telco protection available (DTK-6FF)

Product Features

Agency Approvals:	UL1449, 2 nd Edition
Service Voltage:	110-120VAC
MCOV:	130VAC
MCOV – Telco:	130VAC (DTK-6FF)
Connection:	Direct plug-in (AC); RJ11 (Telco)
Continuous Current:	15 Amps
Max Surge Current:	13,500 Amps
Protection Modes:	L-G, L-N, N-G (AC)
U.L. 1449 SVR:	330V
Dimensions:	5.0" x 3.3" x 1.56" (127mm x 84mm x 40mm)
Weight:	.44lb (200g)
Housing:	ABS
Warranty:	Ten Year Limited Warranty

Selection Guide

- AC protection – 13,500A: **DTK-6F**
- AC and Telco protection: **DTK-6FF**
- AC protection with ground terminating screw: **DTK-6GTP**





CM1, CM, CM+, CMXPlus Surge Arresters

*Single Phase and Three Phase Secondary Arresters,
120VAC – 600VAC*

DITEK's CM1, CM, CM+, and CMXPLUS provide users with a range of durable, cost-effective secondary surge arresters suitable for use in a wide range of applications. DITEK arresters are typically used to protect pumps, motors, HVAC condensers, and incoming utility power. Products are available in compact housings, and the CM+/CMXPLUS series are the only arresters at their level that provide LED status indicators for each phase. Backed by a ten year warranty, DITEK surge arresters are your choice for effective, economical protection.



DITEK Surge Arresters – Key Features

- 26,000A – 100,000A surge current capacity
- Compact size to fit most applications
- Available in seven voltage configurations
- Diagnostic LEDs (CMXPLUS models) indicate system power and TVSS function
- Weatherproof design allows for use in most environments
- UL838 and cUL listed arresters (UL-OWHX)
- Parallel connection for easy installation
- Ten year limited warranty

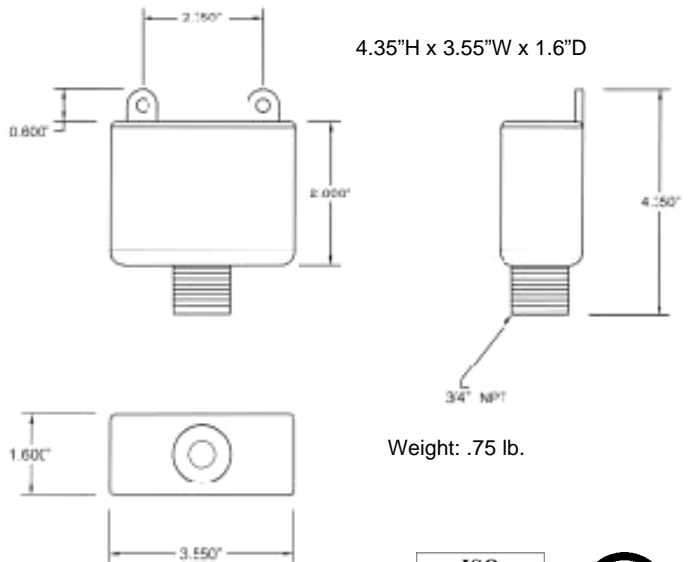
Dimensions – CM1

2.00" x 2.00"



Weight: .61 lb.

Dimensions – CM, CM+, CMXPlus Models



Weight: .75 lb.





DITEK Surge Arresters

*Single Phase and Three Phase Secondary Arresters,
120VAC – 600VAC*

Product Selection and Specifications



120/240CM1



CM, CM+, CMXPlus

DTK-	Application	Service Configuration	Service Voltage	MCOV	Peak Surge Current	Protection Modes	Indicators
120/240CM1	A/C Disconnect, Small Electrical Panels, Pool/Well Pumps	Single Φ (2W + G)	120/240 VAC	130/260V	26,000A	L-G, L-L	None
120/240CM	A/C Disconnect, Small Electrical Panels, Pool/Well Pumps	Single Φ (2W + G)	120/240 VAC	130/260V	50,000A	L-G, L-L	None
480LP	Parking Lot Light Pole	Single Φ (2W + G)	480VAC	510V	50,000A	L-G	None
120/240CM+	Same as CM1 and CM, with higher current and Diagnostics	Single Φ (2W + G)	120/240 VAC	130/260V	100,000 A	L-G, L-L	2 LEDs
240-1CM+	Single Phase 240V L-G ex.: Lift Pump	Single Φ (1W + G)	240VAC	320V	100,000 A	L-G	1 LED
208-3CMXPlus	Light Industrial Service Entrance, 3 Φ Equipment	Three Φ Wye (3W + G)	120/208 VAC	320V	75,000A	L-G, L-L	3 LEDs
240-3CMXPlus	Industrial Equipment, Delta Distribution, Motors, Pumps, 3 Φ A/C Condensers, Air Handlers	Three Φ Delta (3W + G)	240VAC	320V	75,000A	L-G, L-L	3 LEDs
480-3CMXPlus		Three Φ Delta (3W + G)	480VAC	680V	75,000A	L-G, L-L	3 LEDs
600-3CMXPlus		Three Φ Delta (3W + G)	600VAC	880V	75,000A	L-G, L-L	3 LEDs



DTK-VSP-A Series

Coaxial Line Surge Protector General Product Specifications

DITEK's VSP series of video surge protectors combine state-of-the-art hybrid circuit technology with F or BNC connectors to protect a variety of video devices. Whether the need is for video protection on CCTV cameras, DVRs, Digital Satellite Systems, Cable TV, or Broadband Cable, DITEK's VSP products provide optimum protection without signal loss.



DTK-VSP-A **DTK-VSP-BNC-A**
DTK-VSP-BNC-A **DTK-VSP-BNC-A2**

Application Features

- Protects analog or digital video/data lines
- Small footprint makes installation easy
- Recommended for applications where AC power is already protected
- Can protect one or two lines

Product Features

- Connection Method: F or BNC (Female) In/Out
- Band Pass Range: 0Hz – 2GHz
- Standing Wave Ratio (SWR): 1.2:1
- Insertion Loss: <.3dB
- Impedance: 75 Ohms
- Protection Modes: Center Pin – Shield, Shield – G
- Dimensions: .9"H x 2.0" W x 3.3"D (23 x 51 x 84mm)
- Weight: 2.5oz (71g)
- Housing: ABS
- Warranty: Ten Year Limited Warranty

Technical Specifications

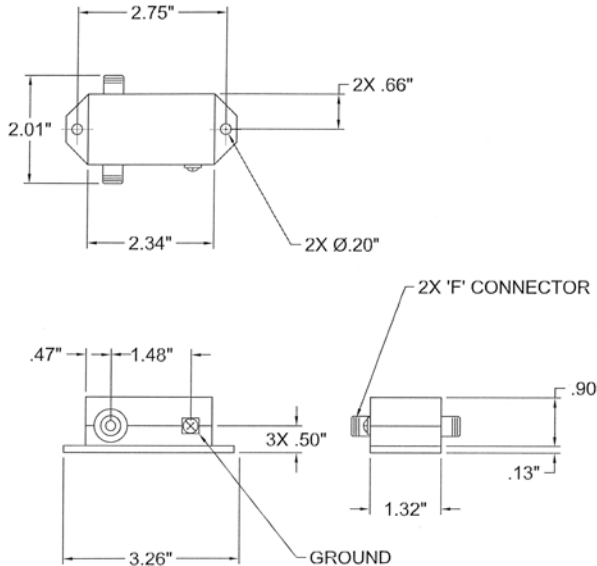
DTK-VSP-A DTK-VSP-BNC-A	CATV, DSS, Broadband	CCTV, DVR
Service Voltage	50VDC	5VDC
Voltage Clamping	75VDC	6.8DC (CP- Shield), 38VDC (Shield-G)
Peak Surge Current	20,000 A	100 A

Selection Guide

Example: DTK-VSP-A2

DTK-VSP-__-A__

Connection Method: Blank for "F" or select BNC
Number of Protected Lines: Blank for 1 or add "2"
to model number





LVL Series

Voice, Data and Signaling Circuit Surge Protection General Product Specifications

DITEK's Low Voltage Line Protector series of signal, data and loop circuit surge protectors provide strong protection in a compact hard wire package. Applications include protection of 4-20mA current loops, alarm panel NAC, SLC and IDC loops, and burglar alarm panels. Models are available to protect 1, 2, 4 or 8 pairs. LVLAWG models can handle #14-#10 AWG wiring connections.



DTK-4LVL-P-D

DTK-LVL

Application Features

- Series connection, parallel function adds no resistance to loop circuits
- Protect 1, 2, 4 or 8 pairs to match your configuration needs
- Seven voltage levels available to protect all types of voice/data/loop applications
- "SCP" model provides automatically resetting fusing and sneak current protection

Product Features

Agency Approvals: UL497B, UL497A

Connection Method: #22-#16 AWG screw terminals (LVL), #14-#10 AWG screw terminals (LVLAWG)

Max Continuous Current: 5 Amps, 0.15 Amps (-SCP)

Max Surge Current: 2,000 Amps per pair (6V-50V)
9,000 Amps per pair (75V-130V)

Protection Modes: Line-Ground (All)

Operating Temperature: -40°F - 158°F (-40°C - 70°C)

Maximum Humidity: 95% non-condensing

Dimensions: 1LVL-4LVL – 1.6"H x 3.0"W x 1.6"D
(41mm x 76mm x 41mm)

8LVL – 1.5"H x 4.8"W x 2.3"D
(35mm x 122mm x 58mm)

Weight: 4oz (113g)

Housing: ABS

Warranty: Ten Year Limited Warranty

Accessories: DIN Rail Kit – Part Number DTK-DRK

Selection Guide

DTK-#LVL# #-#

Number of Pairs:: 1, 2, 4, 8

Wire Gauge: "P" for #22-16, "AWG" for #14-10

Sneak Current Protection: .15A current, "SCP"

Voltage Level: D, X, LV, OPX, SPK, SGR, RUV
(see table below for voltage ranges)

Example: DTK-4LVLSCP-D

Example: DTK-8LVLAWG-RUV

Performance Data

Model DTK-LVL#	Service Voltage	MCOV	Clamp Voltage
D	0-6 V	8VDC	12V
X	14 V	18VDC	22V
LV	30 V	38VDC	47V
OPX	50 V	66VDC	82V
SPK	75 V	102VDC	120V
SGR	95 V	127VDC	150V
RUV	130 V	175VDC	204V

