

Harrington Signal Inc.  
2519 4th Avenue, Moline, Illinois 61265  
P.O. Box 590, Moline, Illinois 61266-0590  
Phone: (800) 577-5758 Local: (309) 762-0731 Fax: (309) 762-8215  
Internet: www.harringtonfire.com



## Description

The fan status and control annunciator, FS Series is designed for use in high-rise buildings and other facilities that must have a means to manually control the fans or dampers designated for smoke removal during a fire emergency. The unit is designed to work in conjunction with fire alarm and control systems to provide visual status and manual control capability for each smoke removal fan.

A three position switch is provided for each fan, along with two status indicators. These "ON/OFF" indicators are activated by contacts on the fan starter relays. The "ON" indicator will light only when the fan is running. The "OFF" indicator will light whenever the fan is NOT running.

When the switches are in the "AUTO" position, the system fans will be monitored only. During a fire emergency, the fire alarm system will operate the fans as per the smoke removal system design.

Should conditions warrant manual control, and at the command of the authority having jurisdiction, the annunciator can be used to provide specific control of each smoke removal fan.

## Features

- Non-glare protective front
- Optional separately hinged cover
- Low power consumption
- Bright, long-lasting LED indicators
- Choice of Standard or Custom Sizes
- Plenty of room for wiring
- Choice of easy to operate switches
- Intended for indoor/dry locations

## Technical Specifications

The Fan Status and Control annunciator shall contain all switches, indicators and circuit boards necessary for a complete and functional system. Switches and indicators



shall be wired to terminal strips to facilitate installation. Terminal strips shall be numbered. The annunciator shall be capable of interfacing with addressable fire alarm systems. Lamp Test shall be provided.

Switches shall be clearly labeled as to its function. All nomenclature shall be silk screened directly to the faceplate. The assembly shall be protected by a non-glare acrylic cover, installed in a brushed aluminum frame, and mounted on a black enamel steel enclosure.

## Ordering Information

Model Number	Part Number	Description
FS-0	FS-0	9" x 18" unit for 1 to 9 fans
FS-1	FS-1	14" x 24" unit for 7 to 13 fans
FS-2	FS-2	24" x 24" unit for 14 to 26 fans
FS-3	FS-3	24" x 35" unit for 27 to 40 fans
FS-4	FS-4	36" x 48" unit for 41 to 66 fans

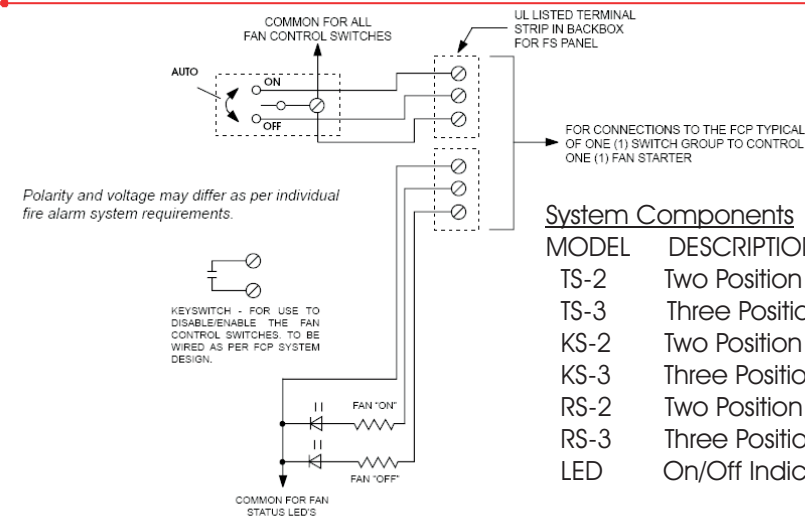
Indicators shall be light emitting diodes. Red will indicate "Fan Off". Green will indicate "Fan On". Indicators shall be field-replaceable without requiring product disassembly or soldering. Components and wiring shall be accessible from behind a hinged, key-locked cover.

## Operation

Normal operation is with the panel switches in the "AUTO" position. When the switch is placed in the "ON" position, the appropriate fan-start relay will be energized. The relay contact will activate the fan. An auxiliary contact will send a signal back to the annunciator as positive indication that the function occurred. When the switch is placed in the "OFF" position, the corresponding fan-disconnect relay will be energized. The relay contact will interrupt the automatic fan-start signal from the fire control system.

The FSCS does not control the Smoke Evacuation fans directly. It is the FCP that provides the outputs that control the fans and lights the Status indicators. Connections from the FSCS to the FCP are through conduit, 20' or less in length. The switches and the LED indicators in the FSCS are wired to UL Listed terminal blocks and from the terminal blocks directly to the Fire Control Product outputs.

### System Diagram - Typical



### System Components

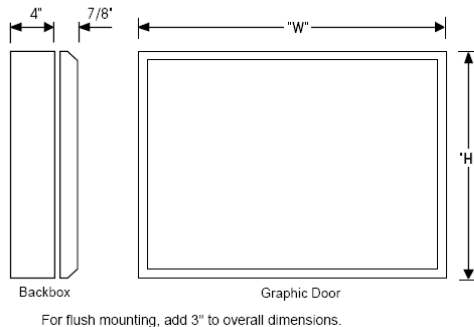
MODEL	DESCRIPTION
TS-2	Two Position Toggle
TS-3	Three Position Toggle
KS-2	Two Position Keyswitch
KS-3	Three Position Keyswitch
RS-2	Two Position Rotary Switch
RS-3	Three Position Rotary Switch
LED	On/Off Indicators

A typical Fan Panel will require one control switch and two indicators per fan.

### Enclosure Options

MODEL	HEIGHT x WIDTH	DESCRIPTION
FS-0	9" x 18"	1 to 9 fans
FS-1	14" x 23 7/8"	7 to 13 fans
FS-2	23 7/8" x 24 1/2"	14 to 26 fans
FS-3	23 7/8" x 35"	27 to 40 fans
FS-4	36" x 48"	41 to 66 fans

NOTE: Units May Be Mounted Vertical or Horizontal



The above fan control switch quantities are typical for our standard enclosure sizes. However, the sizes and switch quantities can be adjusted to suit individual system requirements. Consult the factory for assistance.

NOTICE: The information contained in this document is intended only as a summary and is subject to change without notice. The devices described in this document have specific instruction sheets which cover various technical, limitation and liability information. Copies of these instruction sheets and the General Product Warning and Limitations Document, which also contains important information are provided with the product and are available from Harrington Signal Inc. Fire Alarm. Information contained in these documents should be consulted before specifying or using the product. For further information or assistance concerning particular problems contact Harrington Signal Inc. Harrington Signal Inc. Fire Alarm reserves the right to change specifications without notice.