

The Porta UTP Surge Protector is a single or dual channel, multi-purpose surge protector for unshielded twisted pair (UTP) video, RS422 and RS485 twisted pair and the 24 VDC camera supply. Safeguards against damaging surges and keep surveillance systems protected and operating smoothly.

FEATURES & BENEFITS

- Unique compact, lightweight design
- Will not distort video image
- Video can be transmitted over the same cable as telephone and computer signals
- Down time and service calls can be reduced drastically
- Built-in surge protection
- Easy installation



Applications

- Ideal surge protection for outdoor cameras
- Provides a single point ground connection

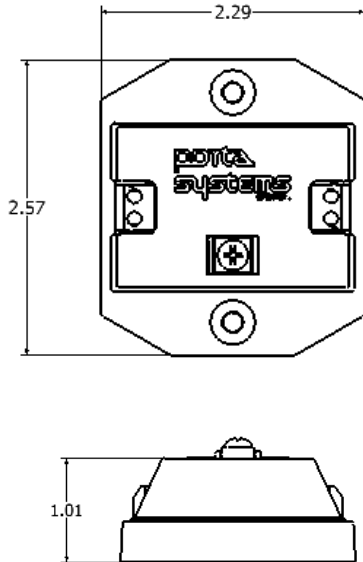
Wire and Cable Recommendations

The Porta Pure UTP surge protector has screw terminals at the input and output for connection to the UTP video and screw terminals at the inputs and outputs for connection to the RS422 and 24 VDC power.

ORDERING INFORMATION

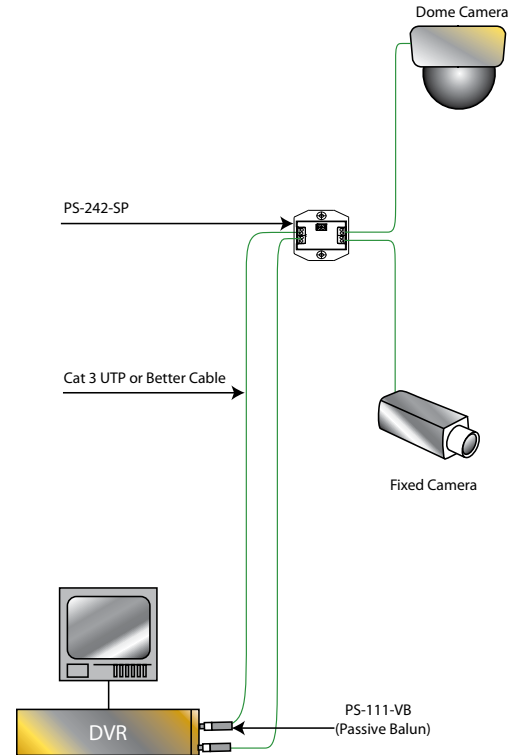
Model No.	Description	Model No.	Description
PS-221-5SP	1 Pair UTP Surge Protector (5 Volt)	PS-242-5SP2	2 Pair UTP Surge Protector (5 Volt)
PS-221-12SP	1 Pair UTP Surge Protector (12 Volt)		
PS-221-24SP	1 Pair UTP Surge Protector (24 Volt)		

MECHANICAL SPECIFICATIONS:



Weight (approx.)	Operating Temperature	Humidity
1.6 oz (45g)	-15°C to 45°C	98% max

APPLICATION DIAGRAM:



Electrical Specifications

Frequency:	20 Hz to 10 MHz	Insertion Loss:	0.3 dB
Common Mode Rejection:	>50 dB (Typical)		
Power:	Not required	UTP Category:	3 to 6
Connection Method: (In/Out)	Video - Screw Terminal : Screw terminal Data - Screw terminal : Screw terminal	Nominal Working Voltage:	Video - 5VDC Data - 5VDC
DC Breakdown Voltage:	Video - 6.8VDC Power - 28VDC Data - 6.8VDC	Max Surge Current:	Video - 220A Power-210A Data - 90A
Impedance:	UTP: 100Ω	Limiting Currents:	360mA
Response Time:	<5 ns		



For more information contact:
 6851 Jericho Turnpike, Suite 170
 Syosset, NY 11791 USA
 Tel. 1-516-364-9300 : Fx. 1.516.682.4636
 sales@portasystems.com (US)
 sales@portasystems.co.uk (UK)