



TC9376H Ceiling Housing

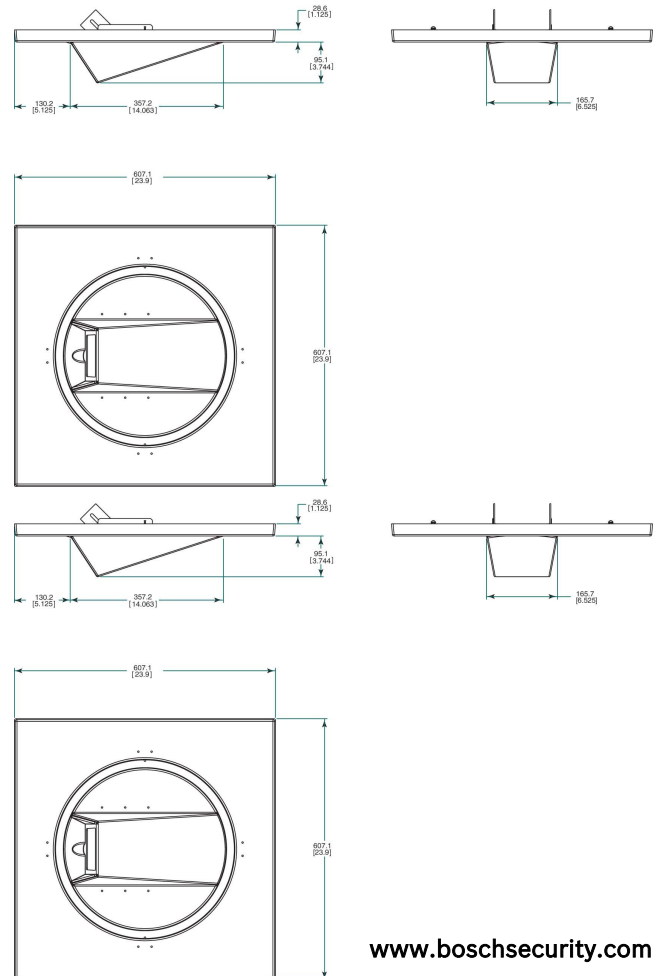


- ▶ Mounts fixed camera and lens in suspended ceiling
- ▶ Lightweight plastic housing
- ▶ Rotates and locks in any position
- ▶ Low profile design
- ▶ Scratch resistant window
- ▶ Camera brackets included

This low profile housing is designed to mount various fixed cameras and lenses into a suspended ceiling, replacing a 2 x 2 ft ceiling tile. The 360° viewing is provided by rotating the housing body to the desired view, and locking into position.

The TC9376H is equipped with an adjustable camera bracket and scratch resistant window. All material is thermoformed from high impact 0.187 in. thick 94 HB ABS plastic.

Installation/Configuration Notes



Dimensional Outline

Technical Specifications

Model

TC9376H Ceiling housing

Mechanical

Max Camera/Lens Size Accepts cameras with lengths up to 279 mm (11 in.); includes fully extended lens and rear cable connectors

Cable Entry Access through top of housing

Window 101.6 x 73.7 mm (4 x 2.9 in.) clear acrylic, enclosed in a snap-in mount

Housing Mounting Replaces 2 x 2 ft ceiling panel

Camera Mounting Adjustable stainless steel camera bracket

Construction 4 mm (0.187 in.) 94 HB ABS plastic housing

Finish Off-white

Dimensions See dimensional outline

Weight 2 kg (4.4 lb)

Ordering Information

TC9376H Ceiling Housing 9498 961 13312

Americas:
Bosch Security Systems
130 Perinton Parkway
Fairport, New York, 14450, USA
Phone: +1 585 223 4060
Fax: +1 800 289 0096
security.sales@us.bosch.com
www.boschsecurity.us

Europe, Middle East, Africa:
Bosch Security Systems B.V.
P.O. Box 80002
5600 JB Eindhoven, The Netherlands
Phone: +31 40 27 83955
Fax: +31 40 27 86668
emea.securitysystems@bosch.com
www.boschsecurity.com

Asia-Pacific:
Bosch Security Systems Pte Ltd
38C Jalan Pemimpin
Singapore 577180
Phone: +65 6319 3450
Fax: +65 6319 3499
apr.securitysystems@bosch.com
www.boschsecurity.com

Represented by